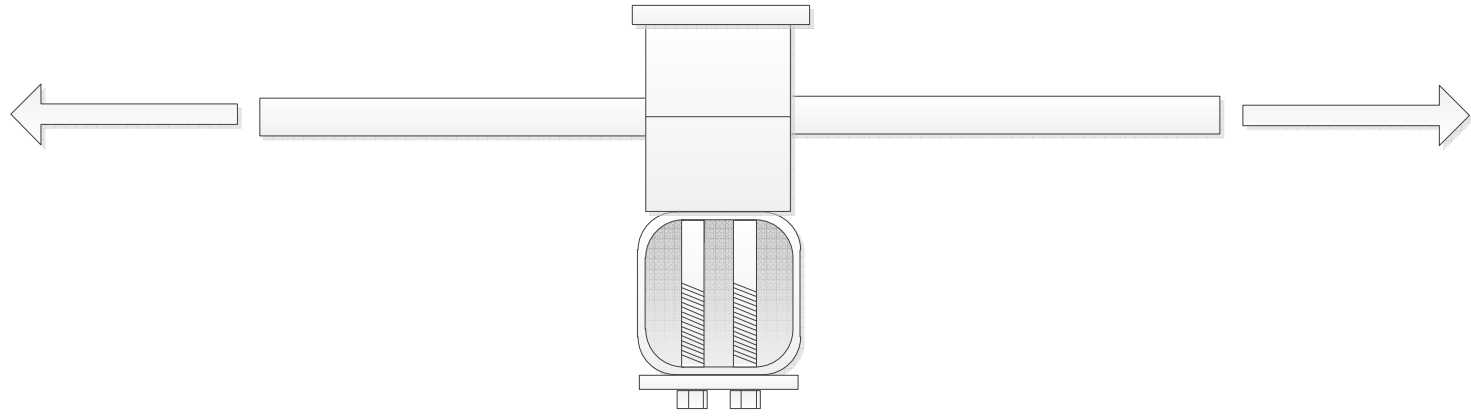


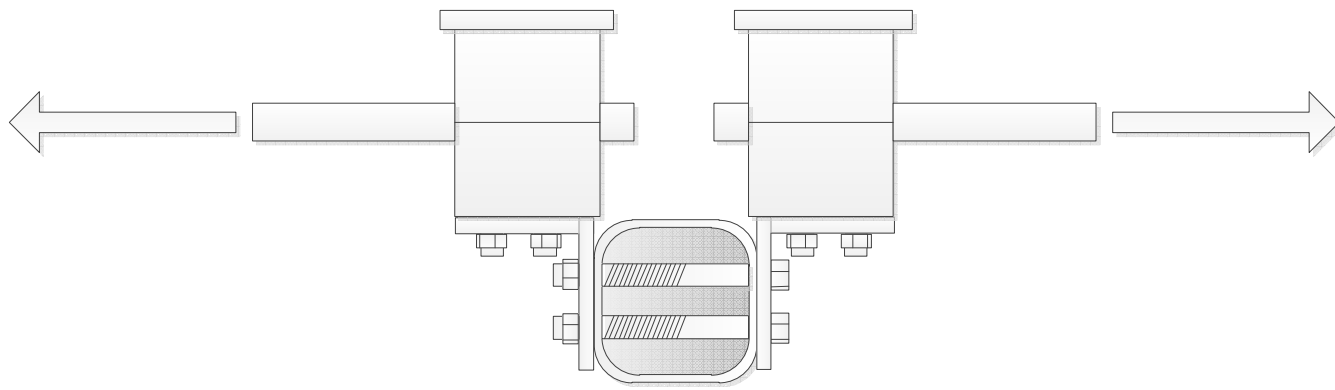
VE7WNK 6M Beam
(Based on the EF0604S)
17.89dBi Gain F/B
Beamwidth 60.2deg

EF0604S	RE	DE	D1	D2
SPACING	0	0.810	1.170	2.350
5/8" (15.875)	2.944	2.866	2.728	2.602

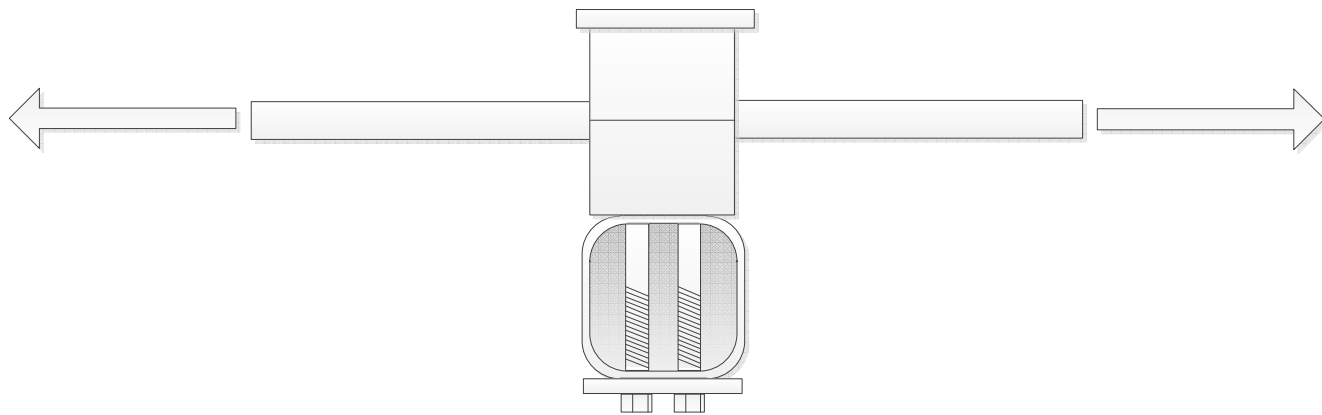
Director Element



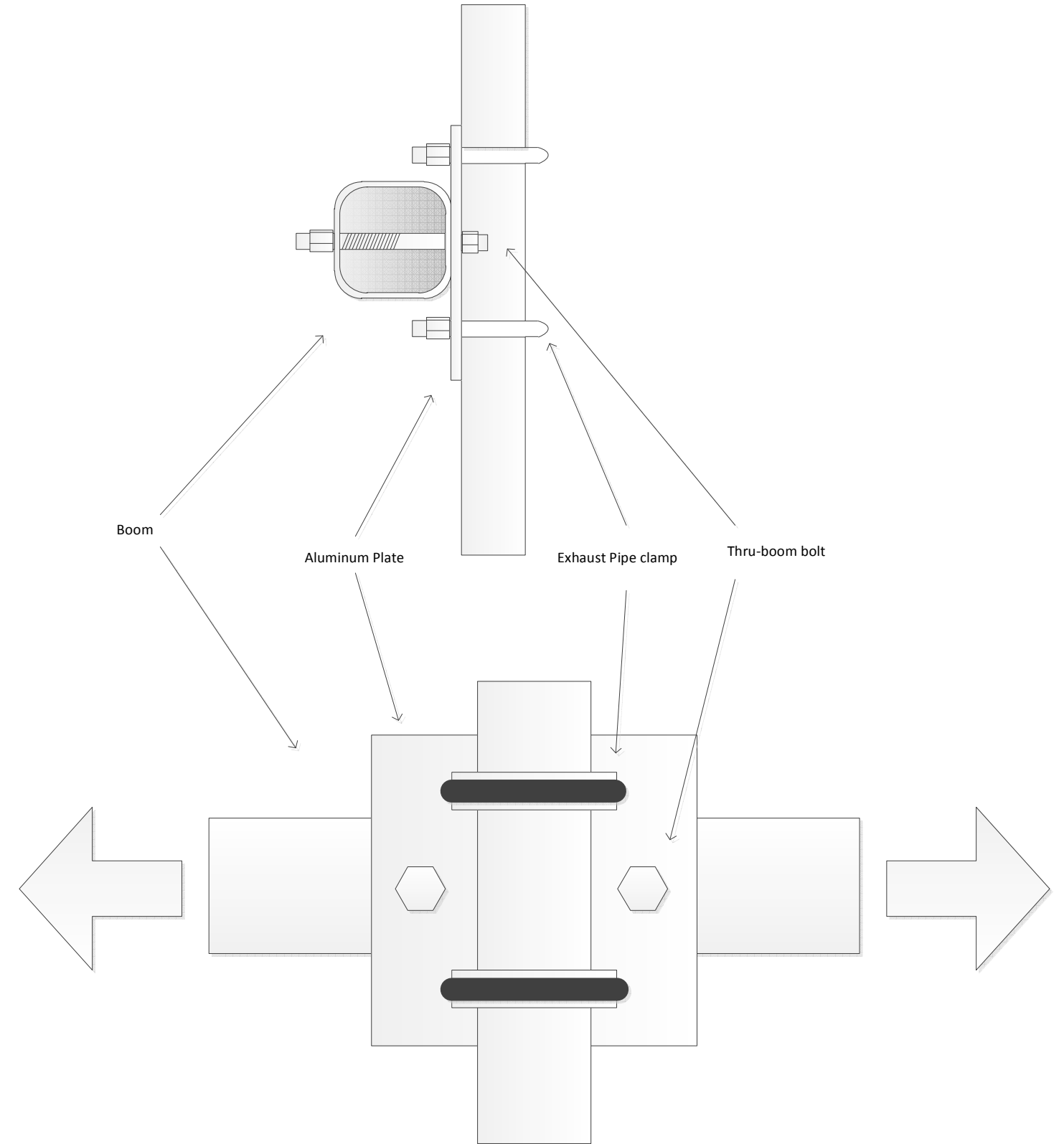
Driven Element



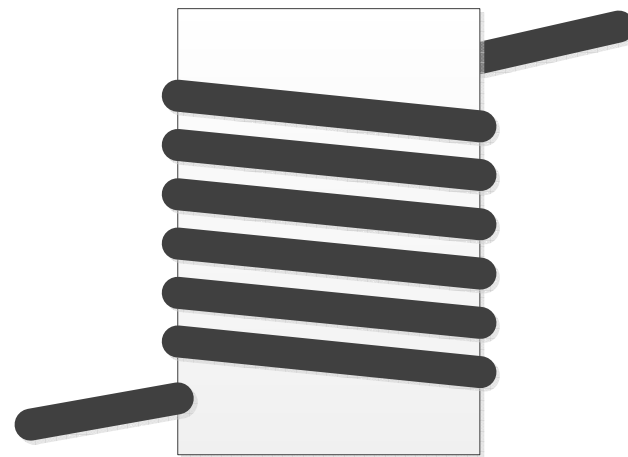
Director Element

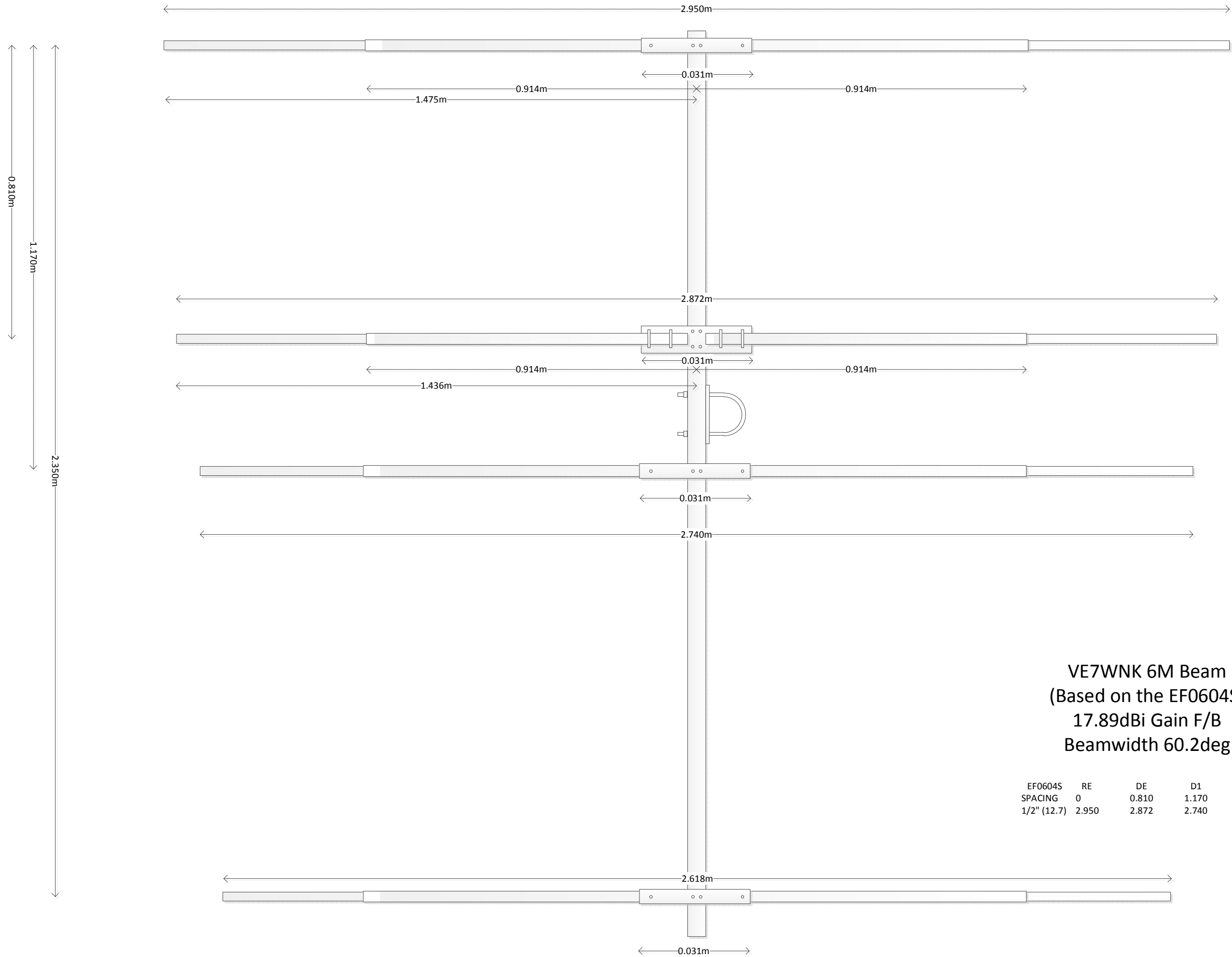


Mast Mount



6Meter Balun

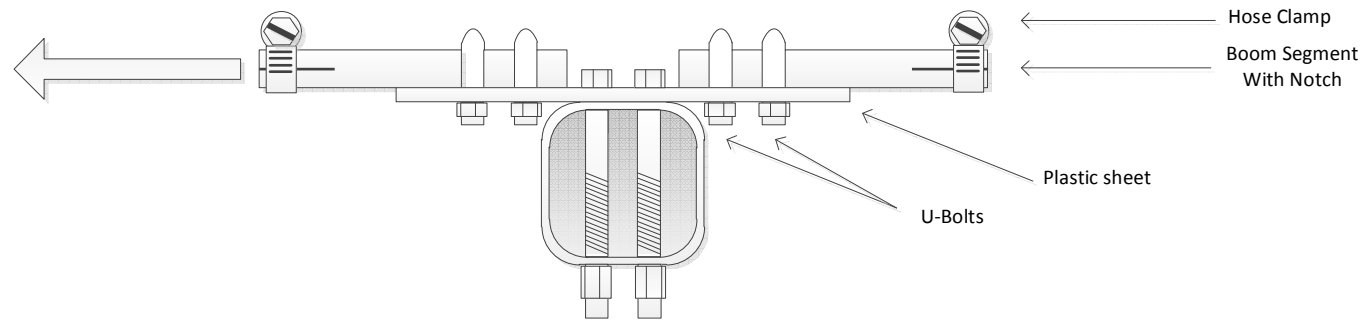




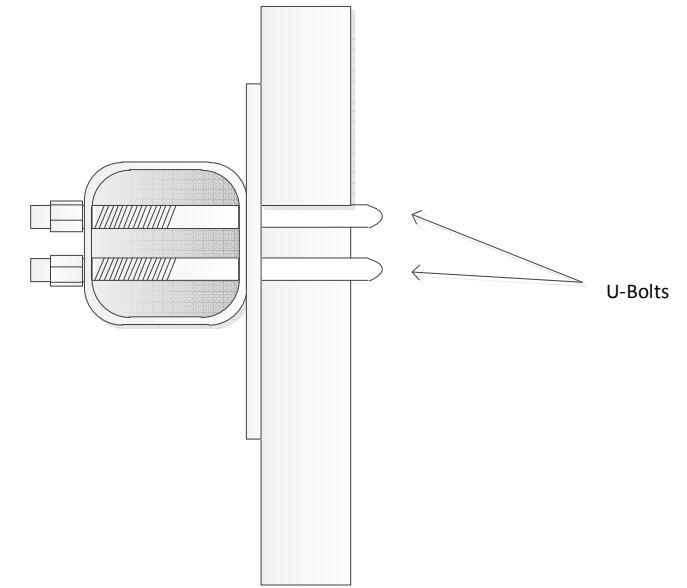
VE7WNK 6M Beam
 (Based on the EF0604S)
 17.89dBi Gain F/B
 Beamwidth 60.2deg

EF0604S	RE	DE	D1	D2
SPACING	0	0.810	1.170	2.350
1/2" (12.7)	2.950	2.872	2.740	2.618

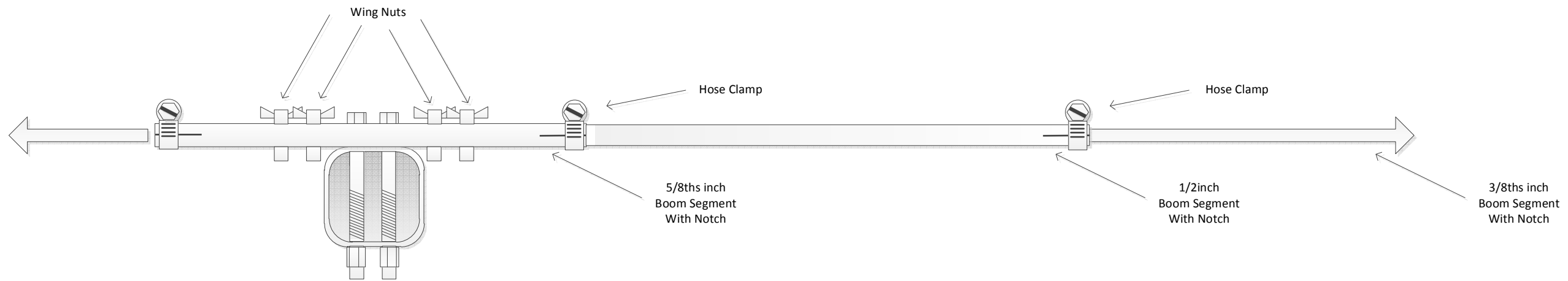
Driven Element



Mast Mount



Reflector/Director Element



Reflector/Director Element Top View

